

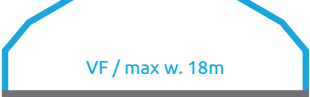







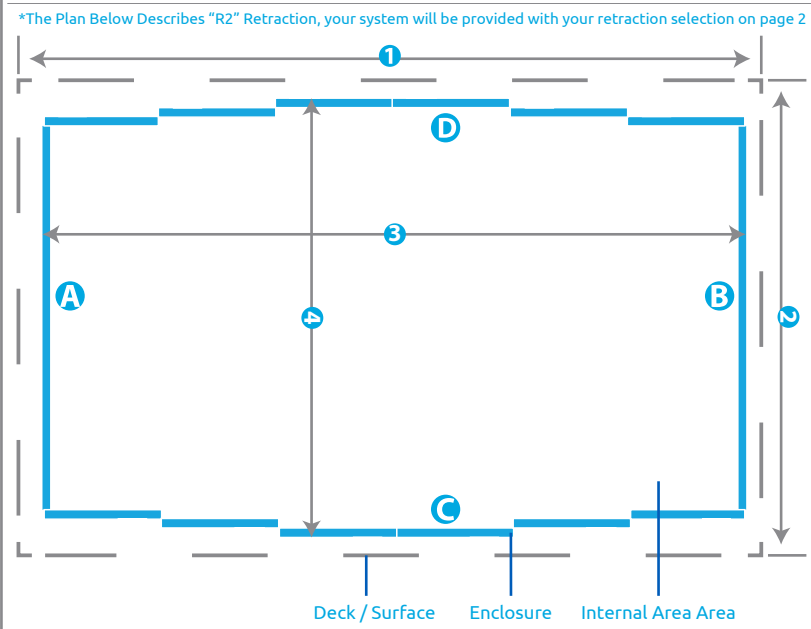
PLEASE FILL IN THE NECESSARY PARTS AND CLICK "SAVE-AS" ON THE SECOND PAGE AND SEND IT TO LIBARTINFO@LIBART.COM

REQUEST FORM EVOLUTION FREESTANDING SYSTEM		CITY		DATE	
PURCHASER / DEALER		STATE		COUNTRY	
CLIENT NAME		PHONE		E-MAIL	
PROJECT NAME		OPERATION SELECTION (MOTORIZED / MANUAL)			
PROFILE COLOR	OTHER RAL COLOR	SELECT PROFILE TYPE	SNOW LOAD SPECIFY psf OR kPa	psf	kPa
WHAT WILL THIS AREA BE USED FOR? THIS INFORMATION AFFECTS GENERAL DESIGN		WINDLOAD SPECIFY mph OR m/s	mph	m/s	
PROJECT STATUS		RESIDENTIAL	CAFES AND RESTAURANTS	HOTELS AND COMMERCIAL	INDUSTRIAL
		OTHER			
		UNDER CONSTRUCTION	COMPLETED	RETROFIT	IN DESIGN
		OTHER			

EVOLUTION FREESTANDING SYSTEMS

F SERIES	<input type="checkbox"/>	 EF / max w. 12m	<input type="checkbox"/>	 DF / max w. 16m	<input type="checkbox"/>	 VF / max w. 18m
7 SERIES	<input type="checkbox"/>	 E7 / max w. 14m	<input type="checkbox"/>	 D7 / max w. 18m	<input type="checkbox"/>	 V7 / max w. 20m

MEASUREMENTS



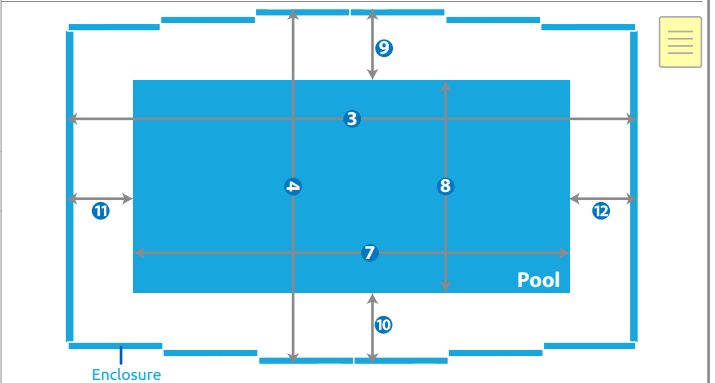
*UNIT OF MEASURE

INCH MM

- 1- *DECK LENGTH
- 2- *DECK WIDTH
- 3- INTERNAL AREA LENGTH
- 4- INTERNAL AREA WIDTH
- 5- ADDITIONAL HEIGHT
- 6- NUMBER OF END WALLS

POOL LOCATION AND DIMENSIONS

- *Fill this part if there is a pool (this part will effect design)
- 7- *POOL LENGTH
 - 8- *POOL WIDTH
 - 9- AREA WIDTH
 - 10- AREA WIDTH
 - 11- AREA WIDTH
 - 12- AREA WIDTH



ADDITIONAL HIGHT SELECTION



NEXT PAGE	PROJECT MANAGER	* MARKED PLACES ARE MONDETORY
	REQUEST BY	
		PAGE 1/2

©2014 BY LIBART NO PART OF THIS FORM OR ANY OF ITS CONTENT MAY BE REPRODUCED, COPIED, MODIFIED OR ADAPTED WITHOUT THE PRIOR WRITTEN CONTENT OF THE AUTHOR.

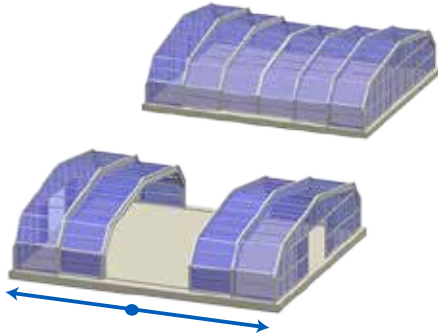


PLEASE FILL IN THE NECESSARY PARTS AND CLICK "SAVE-AS" ON THE SECOND PAGE AND SEND IT TO LIBARTINFO@LIBART.COM

RETRACTION TYPE

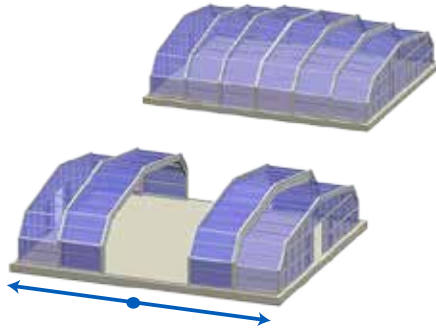
R1

LARGEST MODULES AT EACH END
BI-PARTING RETRACTION



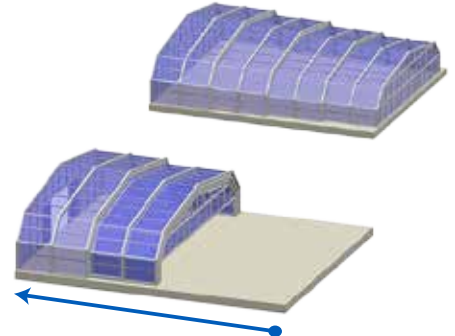
R2

LARGEST MODULE IN MIDDLE
BI-PARTING RETRACTION
RECOMENED SOLUTION



R3

LARGEST MODULES AT FIXED END
RETRACTION TO ONE END



GLAZING

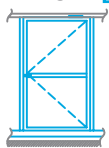


*FOR SPECIFYING GLAZING LOCATION, REFER TO DRAWING ON PREVIOUS PAGE (A&B IS SHOWN)

GLAZING LOCATION	FRAMES	GLAZING SELECTION	GLAZING COLOR	WHAT DO YOU EXPECT FROM GLAZING?
END WALL - A				
END WALL - B				
SIDE WALL - A				
SIDE WALL - B				
ROOF / TOP				

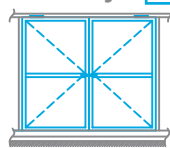
DOOR & WINDOW OPTIONS

(D1) x
Location Bay x



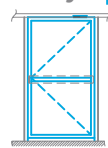
Single Wing Swing

(D2) x
Location Bay x



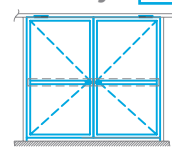
Double Wing Swing

(D1-E) x
Location Bay x



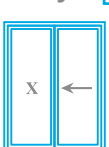
Single Wing Swing
(Panic Exit - No Sill)

(D2-E) x
Location Bay x



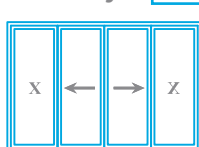
Double Wing Swin
(Panic Exit - No Sill)

(D3) x
Location Bay x



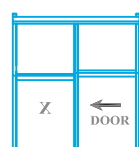
Single Wing Sliding

(D5) x
Location Bay x



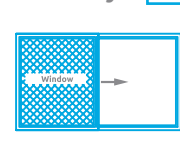
Double Wing Sliding

(D7) x
Location Bay x



Single Wing Sliding

(W1) x
Location Bay x



Screened Window

PURCHASER / DEALER	CLIENT NAME	PROJECT NAME
NEXT PAGE	PROJECT MANAGER	* MARKED PLACES ARE MONDETORY
	REQUEST BY	



PLEASE FILL IN THE NECESSARY PARTS AND CLICK "SAVE-AS" ON THE SECOND PAGE AND SEND IT TO LIBARTINFO@LIBART.COM

COMMENTS, NOTES AND EXAMPLE PROJECTS

ARE THERE ANY CODES, BUILDING OR SAFETY REGULATIONS THAT MAY AFFECT DESIGN?

NOTES

PURCHASER / DEALER	CLIENT NAME	PROJECT NAME
--------------------	-------------	--------------

PLEASE WRITE THE PROJECT NUMBER FROM OUR WEB SITE, UNDER PROJECT TAB (WWW.LIBART.COM/PROJECT) THAT YOU LIKE OR THINK THAT IS SIMILAR TO YOUR NEEDS

#

<p>SAVE AS AND SEND IT TO LIBARTINFO@LIBART.COM</p> <p>PRINT FORM</p>	<p>PROJECT MANAGER</p>	<p>* MARKED PLACES ARE MONDETORY</p> <p>PAGE 3/3</p>
	<p>REQUEST BY</p>	